

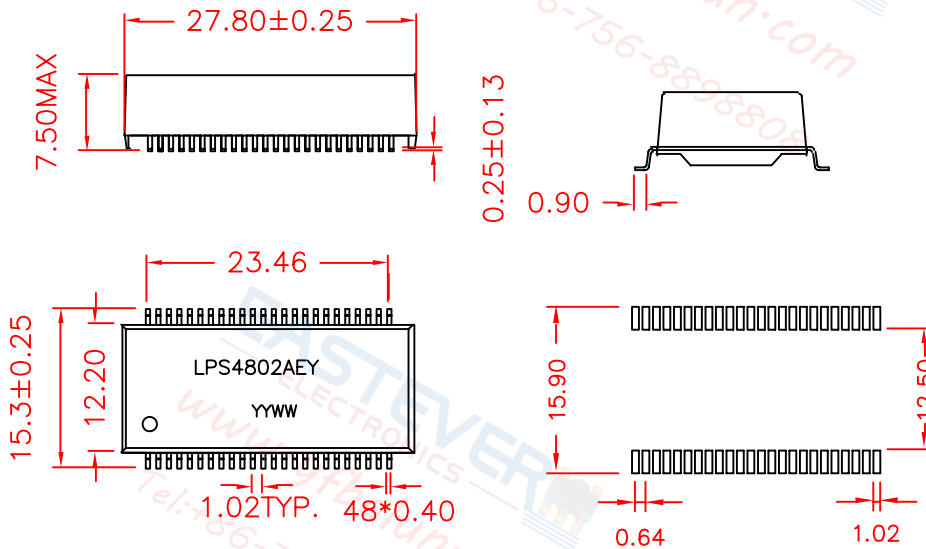
# 1000BASE-TX Dual Ports Magetics Module With POE 600mA Current Capability



**Electrical Specifications: @25°C**

Turns Ratio: PRI/SEC 1CT:1CT ±5%  
 Isolation Voltage: 1500 Vrms (Input to Output)  
 OCL: 350uH Minimum @100KHz 100mV 8mADC  
 DCR:1.20 Ohms MAX  
 LK(100KHZ,100mV):0.5uH MAX  
 Insertion Loss: -1.0dB Maximum @100KHz - 100MHz  
 Return Loss: -18dB Minimum @1MHz-30MHz  
                   -14dB Minimum @40MHz  
                   -13dB Minimum @50MHz  
                   -12dB Minimum @60MHz-80MHz  
                   -10dB Minimum @100MHz  
 Crosstalk: - 40dB Min @30MHz / -33dB Min @60MHz / - 28dB Min @100MHz  
 Differential to Common Mode Rejection:  
                   -43dB Min @30MHz / -37dB Min @60MHz / -33dB Min @ 100MHz  
 Operating temperature range: 0°C to +70°C

**Mechanicals:**



SUGGESTED PCB PAD LAYOUT

**Schematics:**

